

## LAMB ELECTRIC

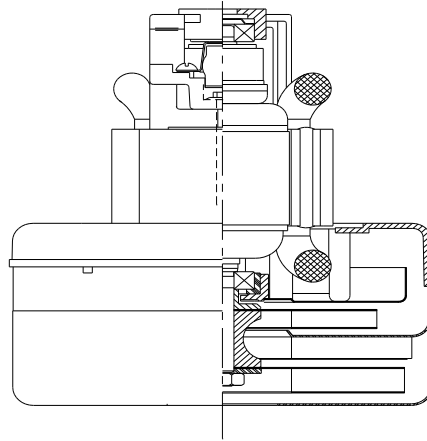
**Model: 116344-00  
116344-11\***

### DESCRIPTION

- Two stage
- 220 volts
- 5.7"/145 mm diameter
- Double ball bearings
- Single speed
- Thru-flow discharge
- Aluminum fan end bracket
- Aluminum commutator bracket

### DESIGN APPLICATION

- Equipment operating in environments not requiring separation of working air from motor ventilating air
- Designed to handle clean, dry, filtered air only



### SPECIAL FEATURES

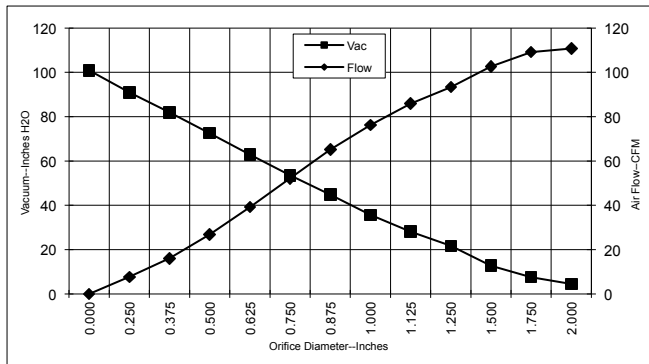
- Suitable for 220 volt AC operation, 50/60 Hz
- UL recognized, category PRGY2 (E47185)
- Provision for grounding
- Skeleton-frame design
- The Lamb Electric vacuum motor line offers a wide range of performance levels to meet design needs

**\*Model 116344-11 features interrupter brushes**

### TYPICAL MOTOR PERFORMANCE.\*

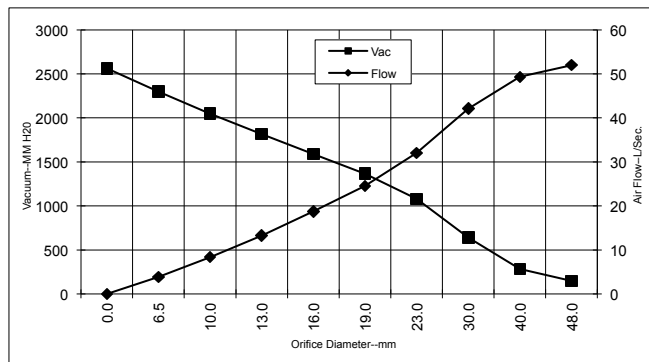
(At 220 volts, 60Hz, test data is corrected to standard conditions of 29.92 Hg, 68° F.)

ASTM DATA



Orifice (Inches)	Amps	Watts (In)	RPM	Vac (In.H2O)	Flow (CFM)	Air Watts
2.000	4.7	1039	21018	4.5	110.8	59
1.750	4.7	1036	21033	7.5	109.1	97
1.500	4.7	1034	21044	12.7	102.6	153
1.250	4.7	1036	21044	21.7	93.3	239
1.125	4.7	1034	21079	28.1	85.8	283
1.000	4.6	1026	21159	35.7	76.2	320
0.875	4.5	1011	21332	44.8	65.2	343
0.750	4.4	974	21795	53.6	52.2	329
0.625	4.1	923	22558	62.9	39.2	290
0.500	3.8	855	23520	72.5	26.8	228
0.375	3.5	786	24597	82.0	16.1	155
0.250	3.2	722	24963	90.9	7.8	83
0.000	3.0	671	25885	100.9	0.0	0

METRIC DATA



Orifice (mm)	Amps	Watts (In)	RPM	Vac (mm H2O)	Flow (L/Sec)	Air Watts
48.0	4.7	1038	21025	148	51.9	76
40.0	4.7	1035	21041	283	49.3	136
30.0	4.7	1035	21063	641	42.1	263
23.0	4.6	1015	21289	1080	32.1	337
19.0	4.4	973	21810	1366	24.5	328
16.0	4.1	925	22527	1588	18.7	292
13.0	3.9	862	23424	1817	13.2	234
10.0	3.5	796	24435	2047	8.4	166
6.5	3.2	725	24945	2298	3.9	87
0.0	3.0	671	25885	2563	0.0	0

Note: Metric performance data is calculated from the ASTM data above.

\* Data represents performance of a typical motor sampled from a large production quantity. Individual motor data may vary due to normal manufacturing variations.

Test Specs:	220 volts	Minimum Sealed Vacuum:	83.0"	ORIFICE:	13 mm	Minimum Vacuum:	61.0"	Maximum Watts:	860
-------------	-----------	------------------------	-------	----------	-------	-----------------	-------	----------------	-----

